



130 William NYC

Private Exhibit Space- Sample Sale

Click on the images to get more information in our website.

Please contact Daniele Solari or Dennis Henao to access the exclusive sale.

dsolari@poltronafrau.com; +1 718 200-8650

dennis.henao@cappellini.com; +1 929 620 70 55

DOLMEN TABLE by GIULIO CAPPELLINI

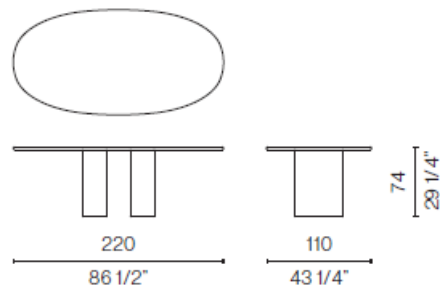


Top and Base in Marble:

- 527 light straw-yellow travertine

Notes:

- Marble top thickness. 3 cm
- The marble is brushed finished with diamond wheels, with water-repellent treatment
- The straw yellow travertine version is processed with coloured cement grouting



DOL1

Retail Price..... \$20,665

EASY CABINET by STUDIO CAPPELLINI

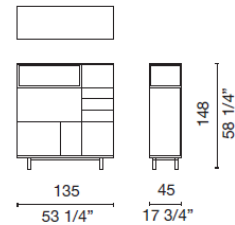
AND

OBLONG SYSTEM SOFA by JASPER MORRISON



Series of cabinets for the living area, characterized by a great visual lightness.

Retail Price Cabinet..... \$12,030



Like all Morrison's projects, Oblong Sofa is a very contemporary product, the emblem of free and dislocated seats, perfect for relaxed comfort.

Retail Price Sofa..... \$15,025

EAS3

CP-OS_51__ OBLONG SYSTEM- CENTRAL ELEM. CM.140X105X37/67,5H
Cover color: A903 - PHILL - (903) BEIGE;

CP-OS_51__ OBLONG SYSTEM- CENTRAL ELEM. CM.140X105X37/67,5H
Cover color: A903 - PHILL - (903) BEIGE;

CP-OS_56__C OBLONG SYSTEM/LEFT CORNER EL. CM
160X100X36,5/63,5
Cover color: A903 - PHILL - (903) BEIGE;

SOFA

ALIANTE BOOKSHELF by RODOLFO DORDONI & GIULIO CAPPELLINI



Structure metal tube with rectangular section:

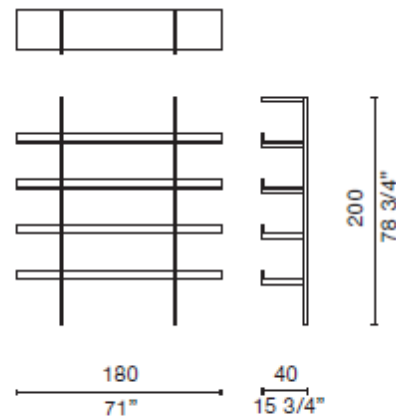
- 407 chromed

Shelves: melamine coated chipboard panels in polished lacquer, shelves are 9076 - Matt lacquer English green.

Notes

- The bookshelf is fixed to the wall through an expansion hook (fischer)
- The shelves are fixed to the structure through socket-head screws

Retail Price..... \$8,705



ALI20 / ALI2

THINKING MAN'S CHAIR by JASPER MORRISON



Outdoor white chair

Structure:

AISI 304 stainless steel tube and flat bars with embossed powder coating: OC1 pure white - RAL 9010

Retail Price..... \$4,735

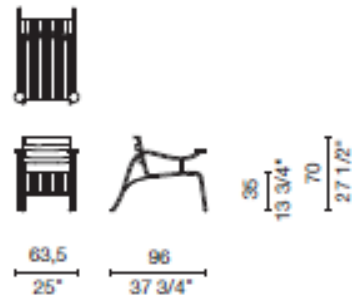
Red chair

Structure: base made of metal tube and seat and backrest made of flat metal bars OC3 oxide red - RAL 3009

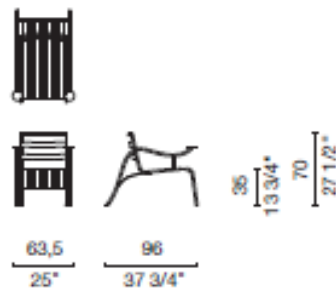
Retail Price..... \$2,900

Notes:

The furniture of the outdoor collection is designed for covered outdoor spaces, such as verandas, balconies and terraces: when not used, it is recommended to put the appropriate protective cover on the products after their complete drying to prevent the accumulation of moisture and formation of mold.



TM_1E / TM_1EH



TM_1 / TM_2

BREAK TABLE by GIULIO CAPPELLINI

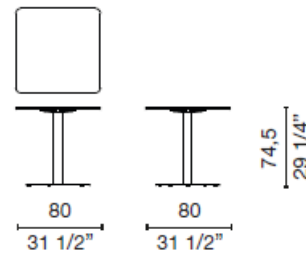


Top: vitrified lava stone: 602 blue
Undertop: cast iron, matt black painted
Base: AISI 304 stainless steel with embossed powder coating: OC1 pure white - RAL 9010

Notes:

The furniture of the outdoor collection is designed for covered outdoor spaces, such as verandas, balconies and terraces: when not used, it is recommended to put the appropriate protective cover on the products after their complete drying to prevent the accumulation of moisture and formation of mold.

Retail Price..... \$5,240



BEO1A

VENDICARI LIDO CHAIRS by JANGIR MADDADI



Structure:

Flat aluminum bars and support rods with embossed powder coating: OC1 pure white - RAL 9010. Cushion upholstery removable in fabric (included in price)

Notes:

- The base beams are fastened with AISI 304 stainless steel screws, varnished in the same colour as the structure
- The removable cushion is fixed to the structure by means of automatic buttons, which allow it to slide between the backrest and the seat. When used on the backrest, the cushion is fastened to the upper side by means of a specific pouch where the extremities of the slats are inserted
- The furniture of the outdoor collection is designed for covered outdoor spaces, such as verandas, balconies and terraces: when not used, it is recommended to put the appropriate protective cover on the products after their complete drying to prevent the accumulation of moisture and formation of mold

Retail Price..... \$3,320/each

Qty available: 2



54 68
 $\frac{21 \frac{3}{4}''}{}$ $\frac{26 \frac{3}{4}''}{}$

VN_5E

32
 $\frac{12 \frac{1}{2}''}{}$
 46 32
 $\frac{18''}{}$ $\frac{12 \frac{1}{2}''}{}$

VNX5E

GONG LIDO by GIULIO CAPPELLINI



Base:

laser-cut AISI 304 stainless steel sheet

Stem. AISI 304 stainless steel rod

Top: laser-cut AISI 304 stainless steel sheet

Finish: embossed powder coating

- OC1 pure white - RAL 9010

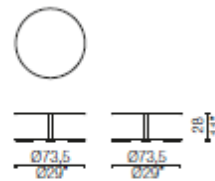
- OC3 oxide red - RAL 3009

High Service Table in White

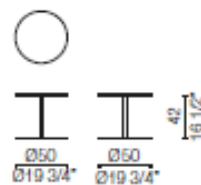
Retail Price..... \$1,275

Low Service Table in White

Retail Price..... \$2,910



GG_2E Low service table



GG_1E High service table

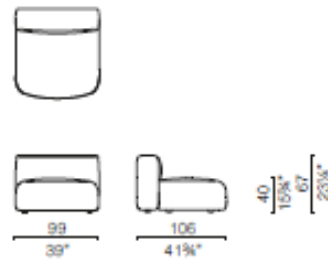
LITOS LIDO by SEBASTIAN HERKNER



Structure: marine plywood panels
Padding: multi-density polyurethane foam and polyester fiber with waterproof lining
Upholstery: removable in fabric
 With Cushion 50 x 50 cm (included in price)

Retail Price..... \$5,385/each

Qty available: 2



LT_13E **Seat element**

LUD'O LOUNGE by PATRICIA URQUIOLA

And ORG TABLE by



Structure: shell made of recyclable linear polyethylene

Padding: polyurethane foam and polyester fiber

Cover: removable in fabric Corda C313
Stitching: tone on tone

Conical base: metal sheet, swiveling, with black embossed powder coating

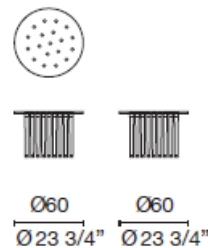
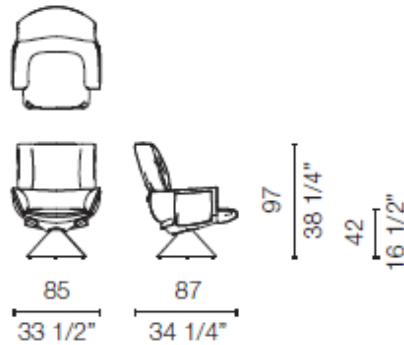
Retail Price..... \$4,390

Top: transparent toughened glass

Base: stiff legs made of steel and polypropylene rope and flexible legs made of polypropylene rope 611 white

Connecting elements: 435 satined stainless steel

Retail Price..... \$5,080



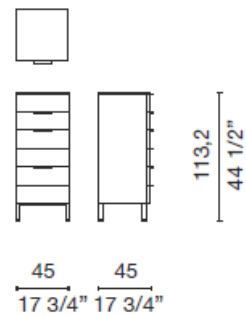
OG 5

Service table

BREST by GIULIO CAPPELLINI



Cases and tops: melamine plated
chipboard panels polish lacquer
Base: metal base H. 16 cm - 6 1/4" (with
black varnished frame 407 chromed
Handles: aluminum, length 15 cm - 6": 407
chromed
Retail Price..... \$8,260

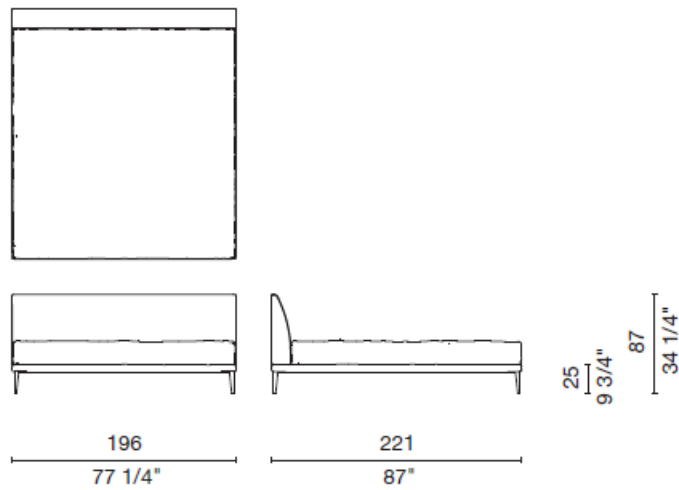


BED by JASPER MORRISON



Structure: solid fir, poplar plywood, metal frame
Padding: multi-density polyurethane foam
Main bedstead: ash plywood slats
Base: polish natural aluminum
Feet: adjustable central feet made of black varnished metal
Cover: removable in fabric Zero EZ12

Retail Price..... \$8,210

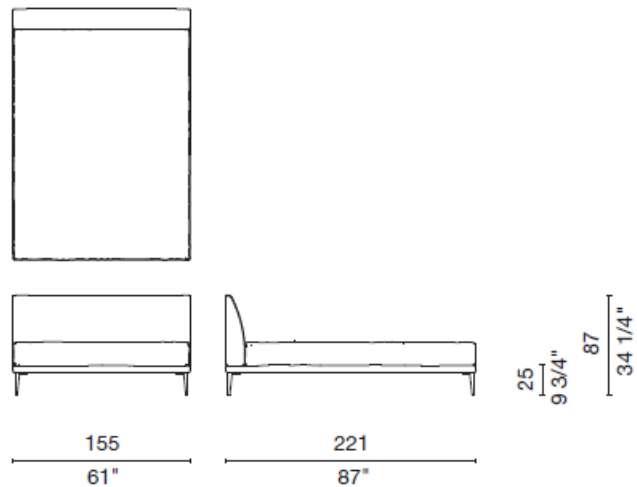


BED by JASPER MORRISON



Structure: solid fir, poplar
plywood, metal frame
Padding: multi-density
polyurethane foam
Main bedstead: ash plywood slats
Base: polish natural aluminum
Feet: adjustable central feet made
of black varnished metal
Cover: removable in fabric

Retail Price..... \$6,645



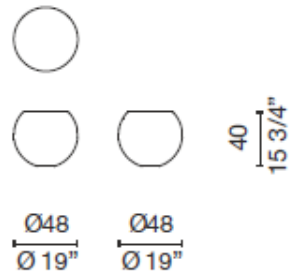
BONG by GIULIO CAPPELLINI



Structure fibreglass and resin: V29 white Carrara

Notes: Fake marble decoration is realized with Dip-Print three-dimensional decorating system

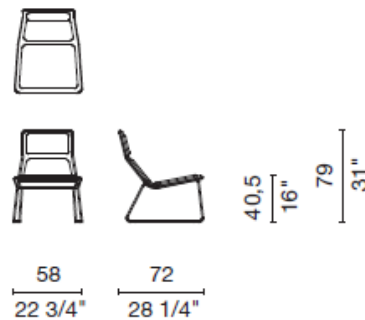
Retail Price..... \$1,960



LOW PAD CHAIR by JASPER MORRISON



Structure: beech plywood
Padding: multi-density polyurethane foam
Cover: fixed in fabric and leather
Base finish metal: 435 satined stainless steel
Feet: grey polyethylene on stainless steel
Notes: In the fabric version, the profile is closed with a piping in the same material



Retail Price..... \$2,260/each

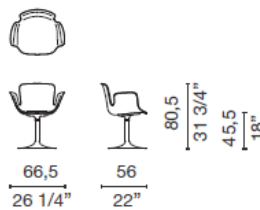
Qty available:2

JULI PLASTIC by WERNER AISSLINGER



Small armchair with armrests,
with colored plastic shell in black
with auto-return swivel base.

Retail Price..... \$1,220



JUP1M Armchair with column and auto-return swivel base

DIAVOLETTI FAMILY by ALESSANDRO MENDINI AND DANIEL ELTNER



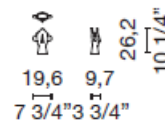
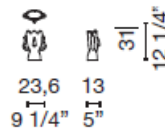
Collection of vases, available in three different sized and colors, inspired by the idols from the Cycladic civilization on the island of Mykonos.

Retail Price RED..... \$425

Retail Price PINK..... \$420

Retail Price YELLOW..... \$350

Qty available:1 each color

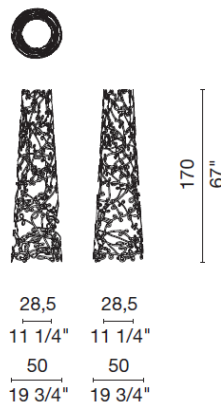


TUTA by NENDO



Floor coat hanger made of matt varnished laser-cut metal structure in white.

Retail Price..... \$3,370



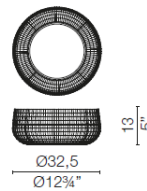
TRACE BOWLS & VASES by FRANCESCO FORCELLINI



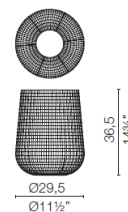
Series of vases made of ceramic with an irregular checkered texture, the outcome of a perfect combination of artisan manufacture and 3D printing technology.

- Retail Price BOWL..... \$305**
- Retail Price BIG VASE..... \$380**
- Retail Price HIGH VASE..... \$380**
- Retail Price SMALL VASE..... \$285**

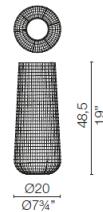
Qty available:1 each SIZE



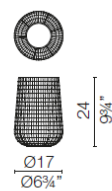
PO_2101A Bowl



PO_2101B Big vase



PO_2101C High vase



PO_2101D Small vase